

Specification sheet LX 991

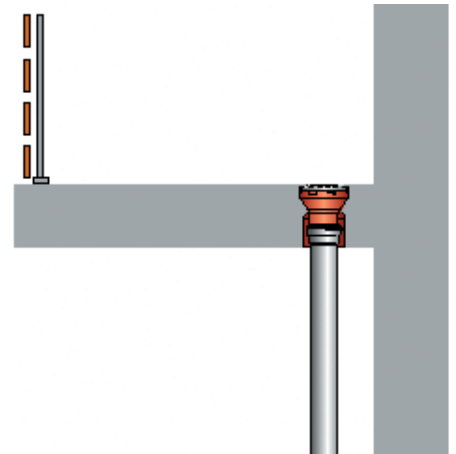
Balcony drainage system Series I, IK, G, GF, GS, for upper balconies

Main drainage

Gravity flow

Silent

Discharge rate:	1,71 l/s
Water height:	35 mm
Roof penetration:	95 - 350 mm
Diameter:	DN 70
LX-Number:	LX 991
Weir height:	-
Drain:	ventilated
Downpipe:	ventilated
Downpipe height:	-
Drainage:	-
Flange form:	-



LX 991 Piece list

1 x Art.-No. choose drain on page two!

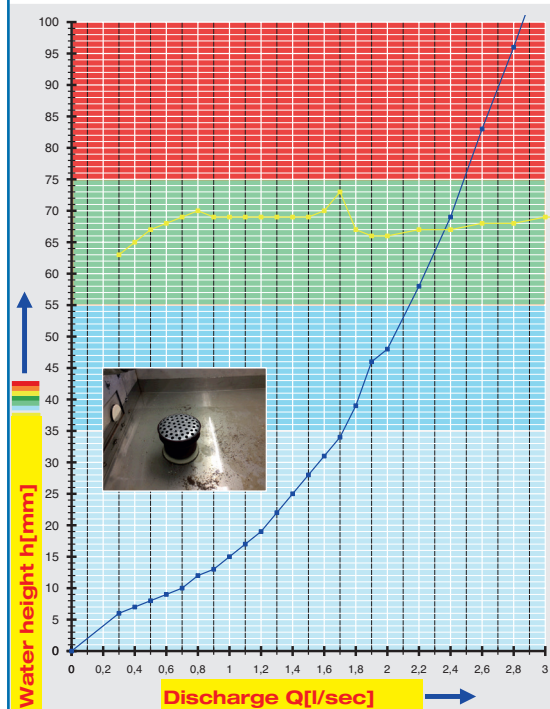
1 X Art.-No. 16191.070X, Strainer for upper balconies

1 x Art.-No. 01005.070X, LORO-X Pipe with one socket

1 x Art.-No. 00911.070X, LORO-X Sealing elements

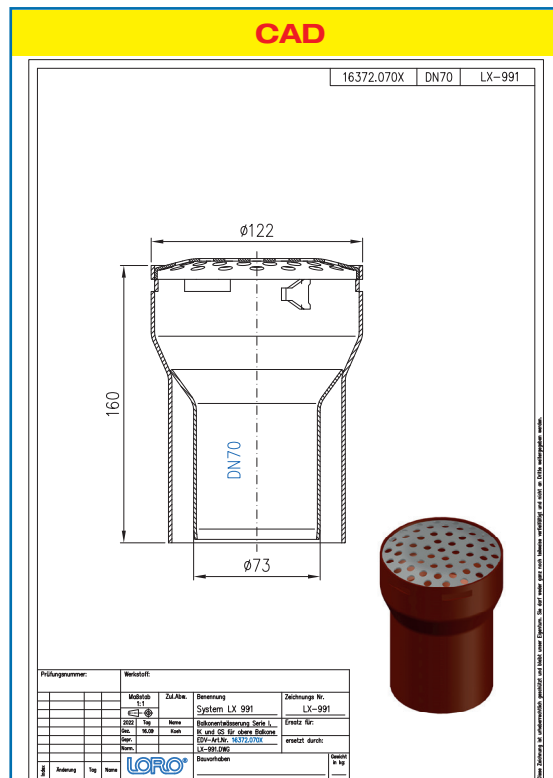
1 x Art.-No. 00986.000X, LORO-X Lubricant

hQ - Head-Discharge curve



Systempower

CAD



Systemshape

Water height	mm	5	10	15	20	25	30	35	40	45	50	55	60	65	70	75	80
Discharge	l/s	-	0,70	1,0	1,23	1,4	1,56	1,71	1,81	1,89	2,03	2,13	2,23	2,32	2,41	2,49	2,58
Silent																	

LORO-Balcony drainage, Series I, IK, G, GF und GS

DN 70

with strainer for upper balconies

LX991-12X

with dome,
Series I
Drain Art.-No.
for plate thickness from:

95 mm: No. 16375.070X
120 mm: No. 16370.070X
140 mm: No. 16371.070X
160 mm: No. 16372.070X
180 mm: No. 16373.070X
200 mm: No. 16374.070X
220 mm: No. 16376.070X



Strainer

for upper balconies

quadratic

round

Art.-No. 16196.070X

Art.-No. 16191.070X



LX991-12X

with dome and clamping collar,
Series IK
Drain Art.-No.
for plate thickness from:

120 mm: No. 16310.070X
140 mm: No. 16311.070X
160 mm: No. 16312.070X
180 mm: No. 16313.070X
200 mm: No. 16314.070X



Attachment

for height adjustment
30 mm - 60 mm

Art.-No. 16192.070X



Accessories

Strainer support

quadratic

round

Art.-No. 16190.070X

Art.-No. 16195.070X



with strainer for upper balconies

LX991-12X

without supporting edge,
Series GS
Drain Art.-No.
for plate thickness from:

bis 350 mm: No. 16115.070X



Strainer

for upper balconies

quadratic

round

Art.-No. 16196.070X

Art.-No. 16191.070X



LX991-12X

with supporting edge,
Series G
Drain Art.-No.
Length of downpipe:

250 mm: No. 16111.070X
3000 mm: No. 16131.070X



Strainer support

quadratic

round

Art.-No. 16190.070X

Art.-No. 16195.070X



LX991-12X

with supporting edge,
Series GF

Drain Art.-No. 16110.070X



Attachment

for height adjustment
30 mm - 60 mm

Art.-No. 16192.070X

